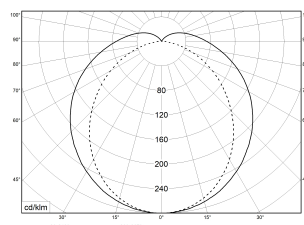
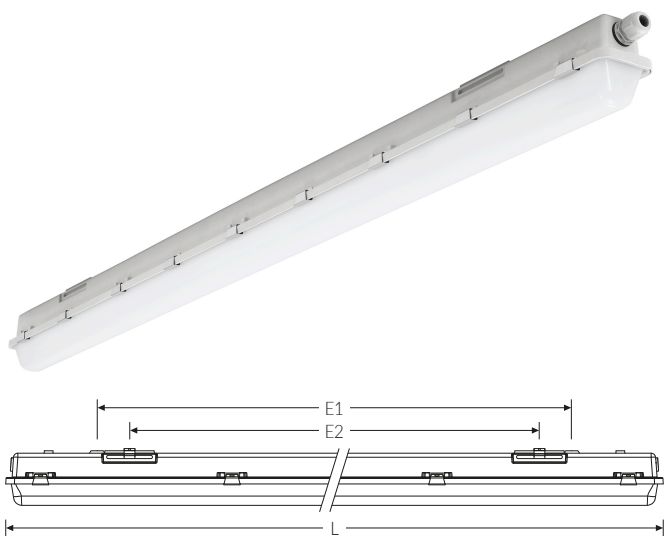


**PACD E-XT L15 8800-840 68W ETI** | Art. No. 68813568.1151h86.008



LED moisture-proof luminaire with diffuser, with integrated through-wiring. Housing made of flame-retardant, glass-fibre-reinforced polyester (GRP), light grey. Non-ageing, foamed polyurethane (PU) seal. With integrated LED converter. White steel gear tray. The LED modules can be replaced by an authorised specialist. Diffuser made of UV-resistant polymethyl methacrylate (PMMA), opalised. Stainless-steel diffuser closure. Simple ceiling mounting via enclosed multifunctional rapid mounting brackets made of stainless steel (luminaire can be clipped in). Laterally adjustable by up to 60 mm for easy alignment of the luminaire. Luminaire with limited surface temperature – ideal for areas where conductive dust concentrations are expected. The luminaire’s design allows it to be cleaned with a high-pressure steam jet cleaner (IP69K, jet pressure max. 80 bar at max. 80°C water temperature, min. distance 15cm). Inklusive 2 Kabelverschraubungen, M20.

**Type of installation and area of application**

With bracket on ceiling or wall (vertical or horizontal), Suspended with mounting bracket and hanger, Trunking TRA, Ceiling mounting, wall mounting, for mounting directly on the ceiling or wall for use indoors and in covered outdoor areas

- Basic lighting

Technical specifications	
Art. No.	68813568.1151h86.008
Article name	PACD E-XT L15 8800-840 68W ETI
Light source	LED, replaceable by an authorised specialist
Energy efficiency class(es) of the installed light source(s) (A-G)	Module 1: D
Gear	LED converter, replaceable by an authorised specialist
Number of light sources	1
Dimmable	not dimmable
Mains voltage	220-240V/50-60Hz
Voltage type	AC/DC
Max. connected load	68 W
Output/power factor	0,90
Luminous efficacy, max. current draw	129 lm/W
Luminous flux, max.	8800 lm
Flicker value (ripple)	<=2 %
Colour temperature max.	4000 K
Colour rendering index Ra	Ra > 80
Colour tolerance (MacAdam)	3
Life expectancy	50000 h
Lifetime rating	L80/B10
Light optics	Diffuser made of UV-resistant polymethyl methacrylate (PMMA)
Light distribution	Extensive
Beam angle	120°

PACD E-XT L15 8800-840 68W ETI | Art. No. 68813568.1151h86.008

Technical specifications	
Unified Glare Rating UGR – max 4H-8H	27
Connection type	5-pin push-fit connector with plug-in contact
Number of luminaires on circuit breaker B16	32 Piece
Housing	Housing made of flame-retardant, glass-fibre-reinforced polyester (GRP)
Cable entry (position)	front
Halogen-free wiring	true
Through-wiring	with through-wiring 5x2.5 sq mm
Ambient operating temperature – min.	-20 °C
Ambient operating temperature – max.	35 °C
Testing	
Protection class	SC I
Protection grade	IP69K
Information about protection grade	The protection grade is only guaranteed at the factory if mounted using the enclosed mounting bracket
Shock resistance	IK03
Flammability (UL94)	HB
Glow-wire resistance	PMMA 650°C
CE-compliant	Yes
D marking	Yes
Certified for the food industry (HACCP)	Yes
Mass and weight	
Length (L)	1520 mm
Width (B)	90 mm
Height (H)	105 mm
Fixing span (E1)	1180 mm
Fixing span (E2) sliding fit, mounting bracket	1060 mm
Information about protection grade	The protection grade is only guaranteed at the factory if mounted using the enclosed mounting bracket
Gross weight (including packaging)	3,7 Kg
Net weight	3,2 Kg
Contents / packaging quantity	1 Piece
Pallet unit	120 Piece

PACD E-XT L15 8800-840 68W ETI | Art. No. 68813568.1151h86.008

## Accessories (optional)



Art. No.	Article name
36078002	Wire mesh protection SG 158



Art. No.	Article name
44149022	TRX chain, galvanised