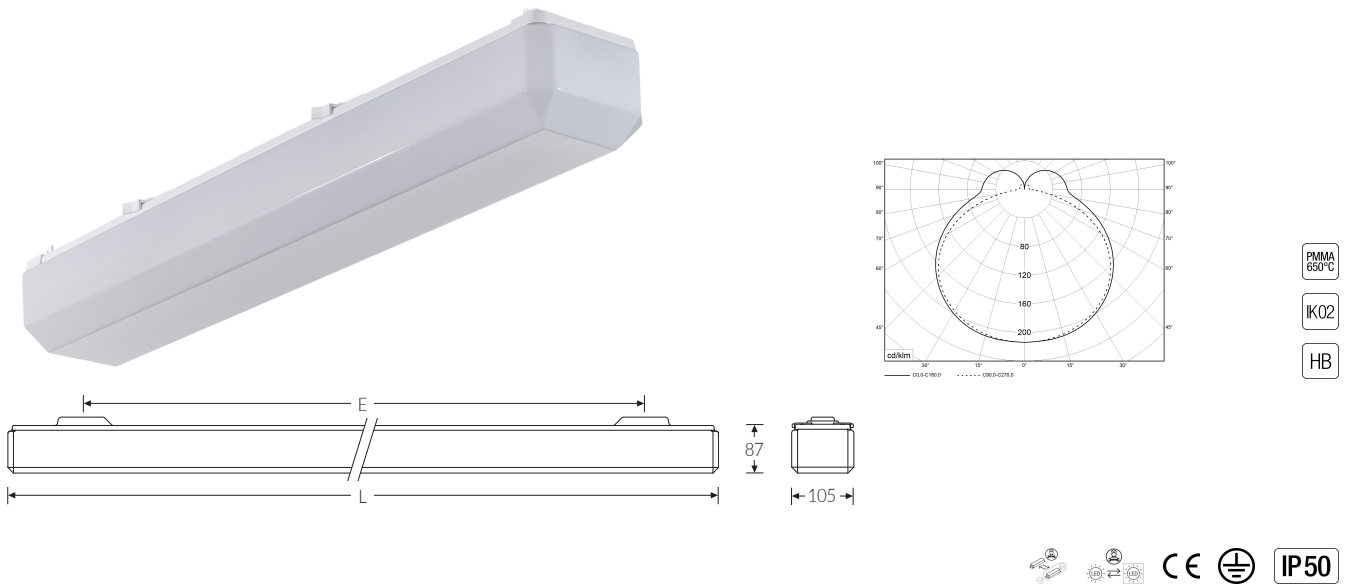


AOT-G L06 3000/2000-840 27/16W ETC ELO | Art. No. 58316-27.1111c81.000



LED surface-mounted luminaire, opal cover with bevelled edges made of acrylic (PMMA). With adjustable light output (Multi-Lumen), pre-set to maximum output upon delivery. Suitable for ceiling and wall mounting. Luminaire base made of white lacquered steel. Foamed plastic profile Built-in unit gear tray/ reflector made of white steel. White polycarbonate (PC) latch closure. 3-pin push-fit connector with plug-in contact, loop-through possible. 2 cable entries. Approved for indoor use.

**Type of installation and area of application**

- Ceiling and wall mounting  
Approved for indoor use only
- Basic lighting

Technical specifications	
Art. No.	58316-27.1111c81.000
Article name	AOT-G L06 3000/2000-840 27/16W ETC ELO
Light source	LED, replaceable by an authorised specialist
Energy efficiency class(es) of the installed light source(s) (A-G)	Module 1: D
Gear	LED converter, replaceable by an authorised specialist
Number of light sources	1
Dimmable	not dimmable
Mains voltage	220-240V/50-60Hz
Voltage type	AC/DC
Min. connected load	16 W
Max. connected load	27 W
Output/power factor	0,90
Luminous efficacy, min. current draw	119 lm/W
Luminous efficacy, max. current draw	111 lm/W
Luminous flux, min.	1900 lm
Luminous flux, max.	3000 lm
Flicker value (ripple)	<= 5%
Colour temperature max.	4000 K
Colour rendering index Ra	Ra > 80
Colour tolerance (MacAdam)	3
Life expectancy	50000 h
Lifetime rating	L80/B10
Light optics	Diffuser made of UV-resistant polymethyl methacrylate (PMMA)
Light distribution	Extensive

**AOT-G L06 3000/2000-840 27/16W ETC ELO** | Art. No. 58316-27.1111c81.000

<b>Technical specifications</b>	
Beam angle	120°
Unified Glare Rating UGR – max 4H-8H	25
Connection type	3-pin push-fit connector with plug-in contact
Number of luminaires on circuit breaker B16	59 Piece
Housing	Steel housing, white
Cable entry (position)	rear
Ambient operating temperature – min.	-20 °C
Ambient operating temperature – max.	25 °C
<b>Testing</b>	
Protection class	SC I
Protection grade	IP50
Shock resistance	IK02
Flammability (UL94)	HB
Glow-wire resistance	PMMA 650°C
CE-compliant	Yes
<b>Mass and weight</b>	
Length (L)	660 mm
Width (B)	105 mm
Height (H)	87 mm
Fixing span (E1)	460 mm
Gross weight (including packaging)	1,7 Kg
Net weight	1,3 Kg
Contents / packaging quantity	1 Piece

AOT-G L06 3000/2000-840 27/16W ETC ELO | Art. No. 58316-27.1111c81.000

## Replacement parts



Art. No.	Article name
45520000	Diffuser Euro-Line 118 opal