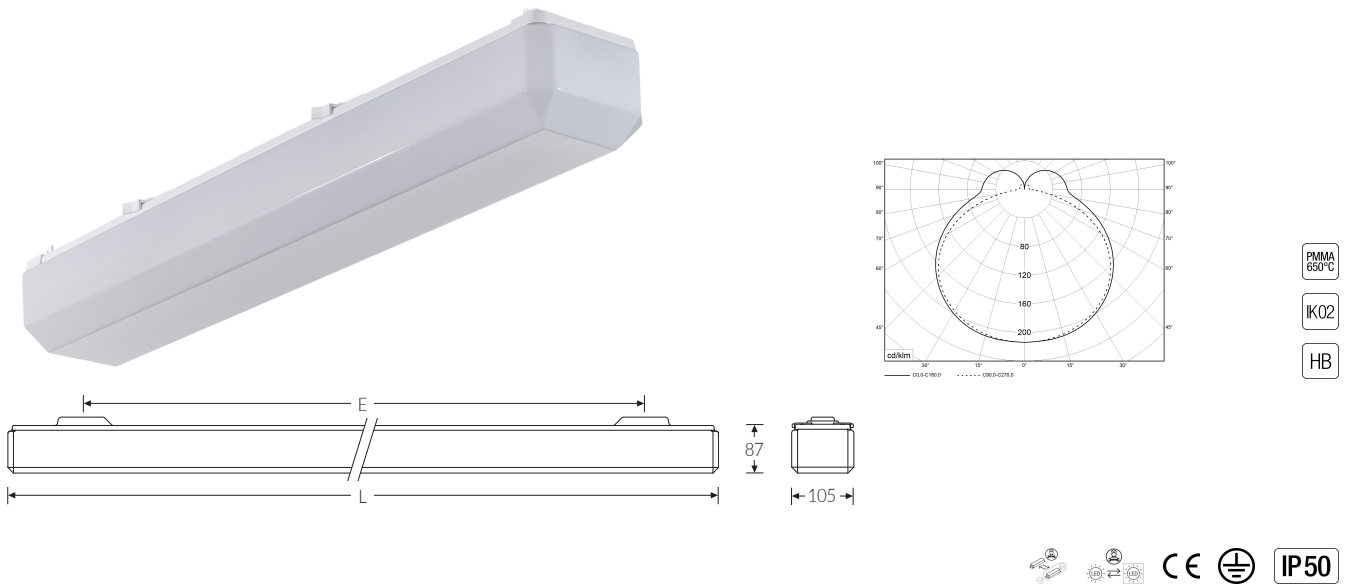


AOT-G L06 2900/1900-830 27/16W ETC ELO | Art. No. 58316-27.1111c91.000



LED surface-mounted luminaire, opal cover with bevelled edges made of acrylic (PMMA). With adjustable light output (Multi-Lumen), pre-set to maximum output upon delivery. Suitable for ceiling and wall mounting. Luminaire base made of white lacquered steel. Foamed plastic profile Built-in unit gear tray/ reflector made of white steel. White polycarbonate (PC) latch closure. 3-pin push-fit connector with plug-in contact, loop-through possible. 2 cable entries. Approved for indoor use.

Type of installation and area of application

- Ceiling and wall mounting
Approved for indoor use only
- Basic lighting

Technical specifications

Art. No.	58316-27.1111c91.000
Article name	AOT-G L06 2900/1900-830 27/16W ETC ELO
Light source	LED, replaceable by an authorised specialist
Energy efficiency class(es) of the installed light source(s) (A-G)	Module 1: D
Gear	LED converter, replaceable by an authorised specialist
Number of light sources	1
Dimmable	not dimmable
Mains voltage	220-240V/50-60Hz
Voltage type	AC/DC
Min. connected load	16 W
Max. connected load	27 W
Output/power factor	0,90
Luminous efficacy, min. current draw	113 lm/W
Luminous efficacy, max. current draw	107 lm/W
Luminous flux, min.	1800 lm
Luminous flux, max.	2900 lm
Flicker value (ripple)	<= 5%
Colour temperature max.	3000 K
Colour rendering index Ra	Ra > 80
Colour tolerance (MacAdam)	3
Life expectancy	50000 h
Lifetime rating	L80/B10
Light optics	Diffuser made of UV-resistant polymethyl methacrylate (PMMA)
Light distribution	Extensive

AOT-G L06 2900/1900-830 27/16W ETC ELO | Art. No. 58316-27.1111c91.000

Technical specifications	
Beam angle	120°
Unified Glare Rating UGR – max 4H-8H	25
Connection type	3-pin push-fit connector with plug-in contact
Number of luminaires on circuit breaker B16	59 Piece
Housing	Steel housing, white
Cable entry (position)	rear
Ambient operating temperature – min.	-20 °C
Ambient operating temperature – max.	25 °C
Testing	
Protection class	SC I
Protection grade	IP50
Shock resistance	IK02
Flammability (UL94)	HB
Glow-wire resistance	PMMA 650°C
CE-compliant	Yes
Mass and weight	
Length (L)	660 mm
Width (B)	105 mm
Height (H)	87 mm
Fixing span (E1)	460 mm
Gross weight (including packaging)	1,7 Kg
Net weight	1,3 Kg
Contents / packaging quantity	1 Piece

AOT-G L06 2900/1900-830 27/16W ETC ELO | Art. No. 58316-27.1111c91.000

Replacement parts



Art. No.	Article name
45520000	Diffuser Euro-Line 118 opal